

# RECYCLING AND WASTE MATERIALS CONTAINERS

UNIQUELY VERSATILE  
SYSTEMS MADE BY BAUER



# WASTE IN CITIES AND VARIOUS PUBLIC AREAS

**SUSTAINABILITY IS ONE OF THE GREAT ISSUES OF THE FUTURE THE SUSTAINABLE APPROACH TO RESOURCES ALSO CONCERNS THE COLLECTION OF WASTE.**

**HERE, IT IS ALL ABOUT ACHIEVING A HIGH RECYCLING RATE.**

The separated collection of glass, paper, residual waste, organic, lightweight packaging etc. has a high level of acceptance among the general public nowadays. This high level of availability and the requirements placed on modern urban and spatial development also entail new collection-system requirements. If

the systems are not adapted to the collection behaviour and the local circumstances at hand, known consequences result, such as overfilling, pollution, vision obstructions, noise and odour nuisances, as well an elevated emptying cycle.

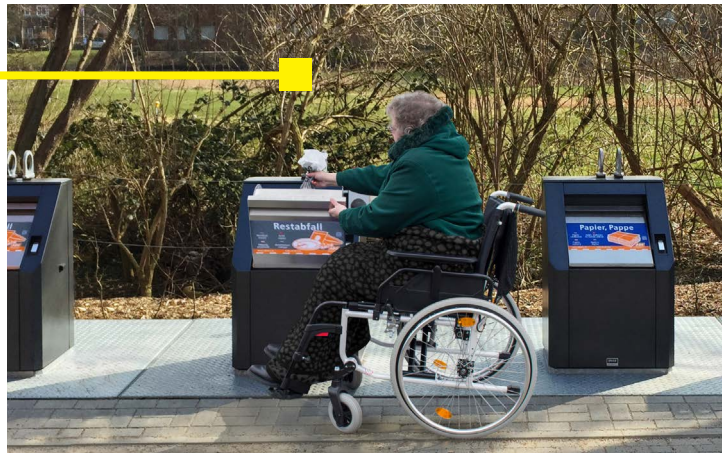
## High level of waste volume

If waste cannot be avoided, we should recycle as much of it as possible. A clean separation of the individual categories is a requirement for efficient recycling. In contrast, in the case of a high level of waste volume, separation is a challenge. Here, innovative collection systems are in demand.



## Inclusion in focus

Caused by demographic change, increasingly more older people will dispose of refuse without wanting to have to rely on outside help. This also applies to people with a disability, but also to children. A barrier-free access, in particular, an ergonomic thrown-in height is required here. We have a wide variety of underground and semi-underground systems in our assortment that satisfies this requirement.

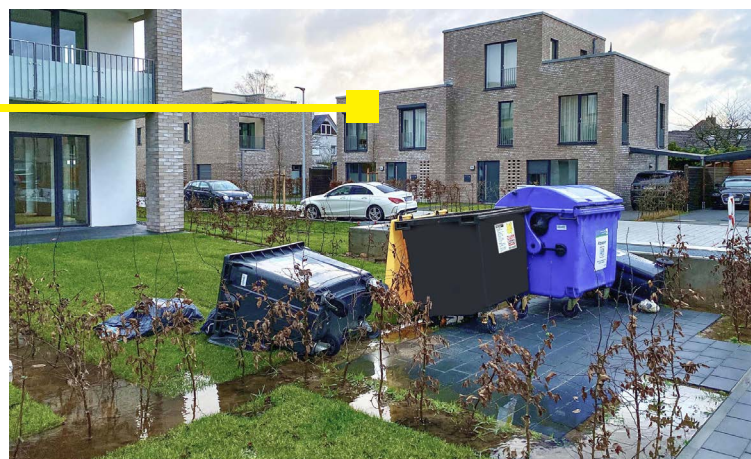


## Lacking availability of space

In order to implement the separated collection of waste, a wide variety of conventional large waste bins are required. This does not look good. Furthermore however, there is often not enough space available to set up large waste bins. Here, space-saving underground systems can be used. As an example: Three underground collection bins with a max. volume of up to 6 m<sup>3</sup> can be incorporated on a surface of 2 × 6 m.

## Damage due to vandalism and storms

Conventional large waste bins offer a wide spectrum of targets for vandalism and forces of nature. The costs associated therewith are substantial. Those desiring to prevent this rely on the innovative systems by Bauer. These can be found on the following pages.







# – YOUR GUIDE INTO THE FUTURE

**WE DO NOT ONLY SEE OURSELVES AS PURE MANUFACTURERS, BUT AS A FAITHFUL BUSINESS ASSOCIATE TO OUR CUSTOMERS AND A PIONEER IN THE BRANCH.**

We are continuously further developing ourselves and our products in order to guide you along the path of societal change in the easiest manner possible. With the history of our company dating back over 50 years and our market expertise, we have experienced a lot of changes in the waste-management industry. Thanks to our own R&D department, we are capable of dealing with individual requests and adapt our products to the needs of our customers. The process of change is both a daily challenge for us as well as

an opportunity. We want to provide support to the market on an innovative level and bear the responsibility of contributing to climate protection and sustainability. Our firm commitment and contemporary way of thinking pave the way into the future.

More information on our company can be found from **page 56** on.

# HOW CAN WE PROVIDE YOU WITH SUPPORT?

**DECADES OF EXPERIENCE AND PRESENCE ON THE MARKET MAKE US A POWERFUL AND PROFESSIONALLY COMPETENT PARTNER. CHALLENGE US!**

Who is not familiar with that? There is prevailing dissatisfaction concerning the status quo with regard to waste collection and something should be done to change that. When searching for alternatives, you can find a lot of information that has to be categorised and classified in the right way.

We would be happy to help you with regard to this. We have different instruments to provide you with support to plan every stage of your project and implement the best product solution possible for you.

## Consultation

At our site in Südlohn, we have created a “model park” for you. There, our underground and semi-underground systems are installed in order to be able to provide you with information on the various systems with a practical orientation. Furthermore, we would be happy to provide you with on-site consultation.



**ENTSORGUNGSKONZEPT**

10/06/2015 Die Innerstädtische Bebauung fordert neue Entsorgungslösungen

- Die Sammlung mit herkömmlichen Umleerbehältern im Vergleich zu modernen Unterflursammelsystemen.
- Kostenermittlung anhand der Gebühren der Stadt.
- Darstellung des Unterflursystems und dessen Vorteile.
- Kostengegenüberstellung zwischen Umleerbehältern und Unterflursystemen.

**ENTSORGUNGSKONZEPT**

**EIN STADTTEIL DER ZUKUNFT**

- Ermittlung des erforderlichen Abfallaufkommens
- Darstellung des Unterflursystems und dessen Vorteile.
- Bedarfsermittlung für die Nutzung von Unterflursystemen.

Auf dem rd. 30 Hektar großen Gelände der ehemaligen Zuckerfabrik entsteht ein neues, urbanes Wohnquartier für bis zu 3000 Menschen. Dieses Quartier ist mit herkömmlichen Neubaugebieten nicht zu vergleichen. Hier entsteht eine Neugestaltung die den höchsten architektonischen Ansprüchen gerecht werden soll. Sie braucht eine soziale und urbane Infrastruktur und soll auch in Sachen Nachhaltigkeit und Ökologie wegweisend sein. So sehen die Pläne dazu auch nicht nur ganz unterschiedliche Wohnformen von Reihenbauten, über hochwertige Stadtparkareens sowie Seniorenwohnungen bis hin zu sozialen Mietwohnungsbauteilen im verkehrsruhigen Umfeld vor, sondern auch einen Kindergarten, eine Grundschule, Geschäfte, Gastronomie, ein Hotel und ein Ärztehaus. Auch an grüne Oasen mit Parklandschaften und Spielplätzen wurde gedacht. Die Abfallentsorgung soll Müllräuber setzen. Hier ist die Errichtung des kompletten Quartiers über Unterflursysteme, welche platzsparend im Boden verortet werden, vorgesehen.

## Planning

For larger projects, extensive planning is required. Here, we can also provide you with support. We have already devised disposal concepts for entire residential areas, which can then be used as a basis for cost/benefit analyses.

Wichtfläche: 85 - 110 m<sup>2</sup>  
Kaltwasser: 8,50 € / m<sup>3</sup>  
Ansprüche:  
- Boden  
- Parkettboden  
- Tageslicht  
- Holzbohle  
- bei 500

Hildegard  
15



ACHTUNG !!!  
KETTENLÄNGE MIN. 2,50 M  
SCHRÄGLUG 30° DARF NICHT  
ÜBERSCHRÄGT WERDEN!



## Delivery

The delivery of fully mounted systems can take place by means of a special vehicle so that it is only necessary to merely lift the systems into the prepared excavation pit at building sites.

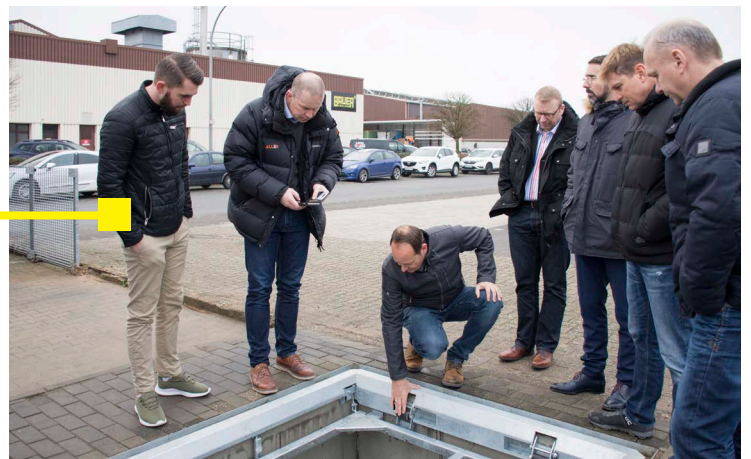


## Installation

We also provide you with support for the installation of the underground systems. With all their experience, our competent points of contact can provide you with on-site support with installation.

## Maintenance

At our company, we offer appointed times for maintenance training sessions. In theory and practice, the participants obtain comprehensive insight into the technology of our systems to be able to carry out annual maintenance on their own.



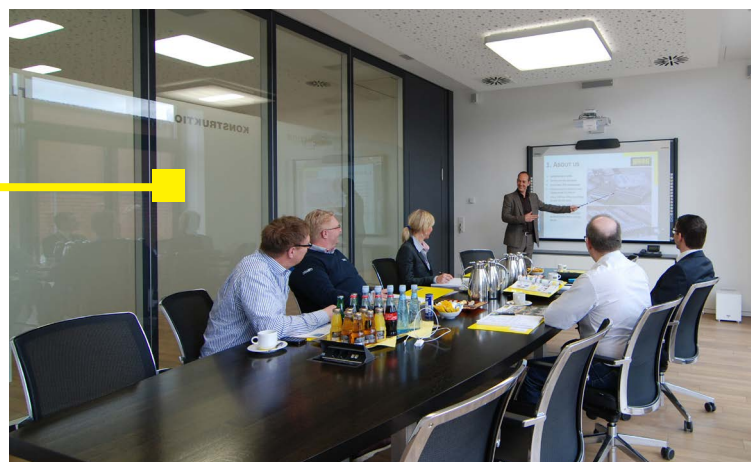


### Custom-made products

“Custom-made is our standard” is the slogan that we practice, among others. In this way, we are also capable of implementing special customer requirements. Therefore, for example, underground collection bins with T-shirt deposit column for old clothing.

### Training

The modern BAUER Forum in Südlohn is optimally equipped with presentation and conference technology. Here, customers and distribution partners find the ideal conditions for training sessions, seminars and presentations.



# GeoTainer®

## MADE BY **BAUER** SÜDLOHN®

**OUR COMMITMENT IS JUST AS SIMPLE AS IT IS EFFICIENT:**

**WITH US, THE SYSTEM ADAPTS TO YOUR REQUIREMENTS, NOT THE OTHER WAY AROUND.**

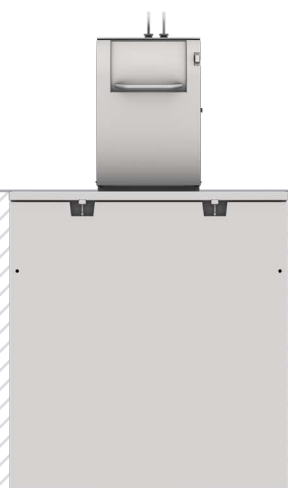
Thereby, the requirements placed on collection systems vary just as much as the local circumstances at hand do. There is no ideal product solution for everything.

We are one of the few manufacturers that covers the entire spectrum of collection systems, whether it be underground systems for a residential complex, semi-underground systems for motorway services areas or overground systems as

an economical alternative in the public sector. You get everything from a single source, regardless of which system you are interested in.

Furthermore, with our underground and semi-underground systems, you receive brand-name products that have been protected and known since 1996 under the private label GeoTainer®.

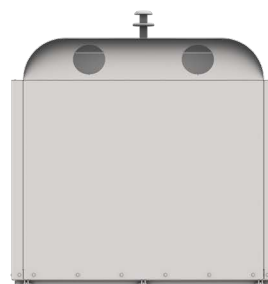
**Underground systems**



**Semi-underground systems**



**Overground systems**



**Waste bins**



**UNDERGROUND** ————— 12

- Model GTS-L
- Deposit columns
- Model GTU
- Model GTL

**SEMI-UNDERGROUND** ————— 24

- Model GTT
- Model GTV
- Model GTC

**OVERGROUND** ————— 36

- Model C 300
- Model C 400
- Model C 600

**WASTE BINS** ————— 42

- Model GTM
- Model TORINO DUE
- Model SECOMAT
- Model GT
- Model GAB ————— 56

**ABOUT US**





14

14-18

Restabfall

Restabfall

Altpapier

Altpapier

EAD  
Service Telefon 06151/7348000

# UNDERGROUND SYSTEMS

**EFFICIENT, BARRIER-FREE AND FUTURE-ORIENTATED UNDERGROUND SYSTEMS ARE SUITABLE FOR MANY AREAS OF APPLICATION DUE TO THEIR NUMEROUS ADVANTAGES.**

In the case of underground systems, the collection bins are completely laid underground. Depending on the respective version, differently designed columns project out of the ground on plateaus at ground level that can also be comfortably accessed by wheelchair users and children.

The containers are located in underground concrete bins, from which they are pulled out for emptying. Therefore, increasingly more housing companies, cit-

ies, municipalities, disposal companies, amusement parks and motorway operators opt for such systems.

When the container exits the underground construction for emptying, a safety platform automatically closes the concrete bin, thereby ensuring the required safety during the emptying process.

## **GeoTainer®**

- GTS-L MODEL
- GTU MODEL
- GTL MODEL

MODEL

# GTS-L



## YOUR ADVANTAGES

- **LOW SPACE REQUIREMENT**

---

- **LARGE COLLECTION VOLUME**

---

- **BARRIER-FREE ACCESSIBILITY**  
Low-level thrown-in height, no tripping hazards,  
relief type or braille, single-arm operation

---

- **NO NUISANCES DUE ODOUR or PESTS**

---

- **NO VISION OBSTRUCTIONS**

---

- **ONE-MAN CRANE EVACUATION**

---

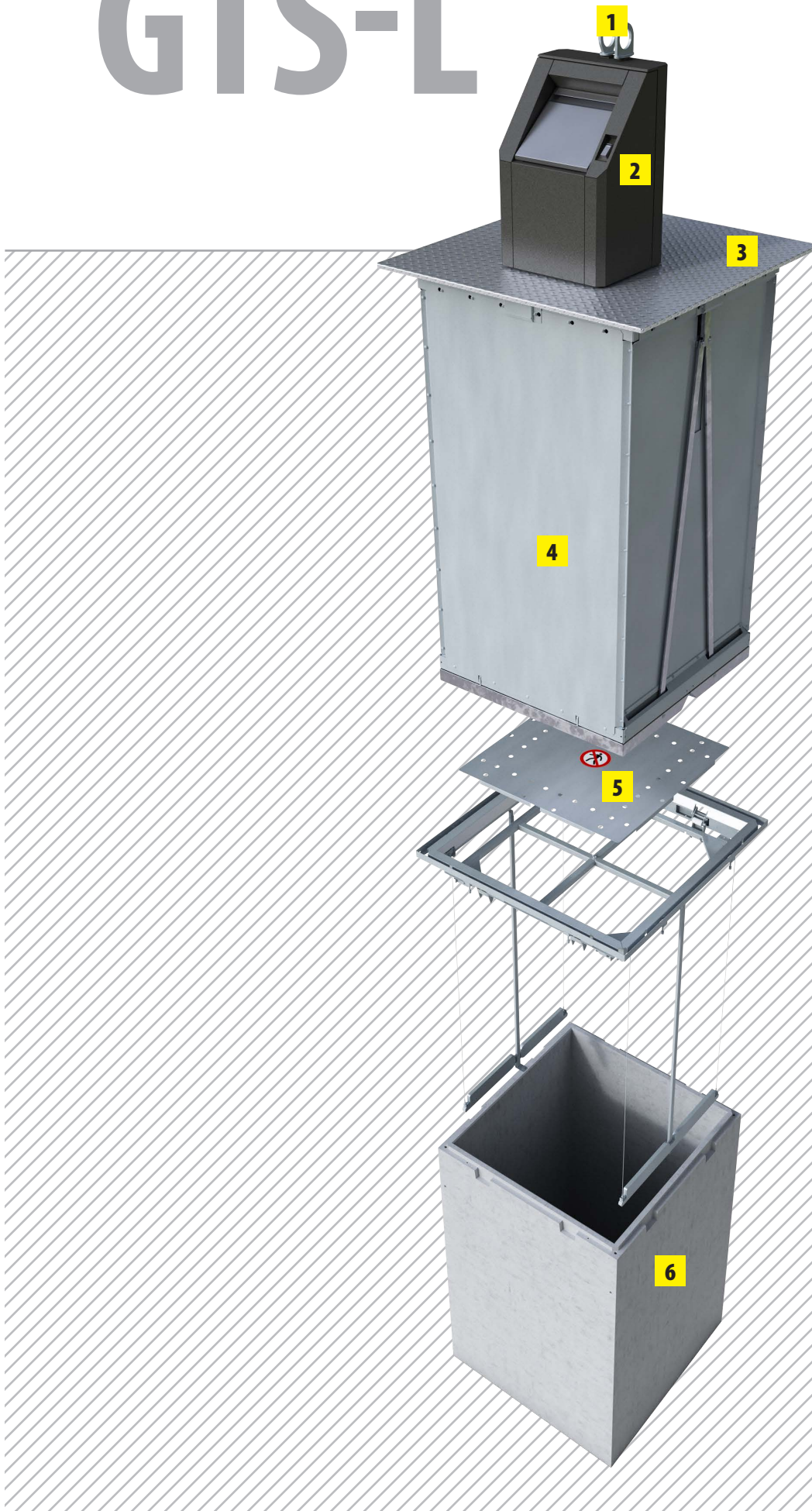
- **NON-FLAMMABLE and FULLY RECYCLABLE**

---



MODEL

# GTS-L



## GTS-L

- 1** Receptacle for the crane crossbeam
- 2** Deposit column
- 3** Walkway platform
- 4** Collection bin
- 5** Safety platform
- 6** Outer concrete bin

Our Model GTS-L is the latest generation of future orientated underground systems. The GTS-L is characterised by special features of the collection bin.

In the case of galvanised collection bins with a volume of 3–5 m<sup>3</sup>, the connection of the cross-beam to the floor flaps is located externally. The smooth inner walls thereby ensure trouble-free and complete emptying. Furthermore, the effective volume is optimised by these constructive measures.

These bins are manufactured according to common guidelines and meet all of the specifications required by DIN 13071.



Image: ASF Freiburg archive



The GTS-L can be equipped with different deposit columns, which can be viewed on the following pages.

# DEPOSIT COLUMNS

**DEPOSIT COLUMNS WITH A WALKWAY PLATFORM CHARACTERISE THE VISUAL APPEARANCE OF THE UNDERGROUND SYSTEMS SINCE THESE ARE THE ONLY VISIBLE ELEMENTS. WE OFFER AN ARRAY OF HIGH-QUALITY DEPOSIT COLUMNS FOR A WIDE VARIETY OF REQUIREMENTS AND CATEGORIES.**

In order to better distinguish the different deposit columns, we have provided these with catchy names. The powdered, galvanised or stainless-steel columns can be supplied with different throw-ins, but also with comprehensive accessories.

By means of pick-up systems, the deposit column is pulled out

of the concrete pit along with the collection bin. We have all common pick-up systems (1-hook, 2-hook, 3-hook and "mush-room" pick-up systems) in our assortment.

## KUBA

Our bestseller impresses with its high-quality design and its EU-patented swivelling capability. With the lockable filling chute made of stainless steel, but also by means of glass throw-ins, all categories can be collected separately.





Authorised persons, caretakers for example, can swing the column open on the side in order to reveal the entire opening of the collection bin. By means of this, a greater quantity of bags can be directly thrown in, thereby optimising the filling level.

The KUBA column can also be supplied in a non-swivel-mounted version.



## RONDO



The special feature of the RONDO column entails the lockable thrown-in drum.

As is the case with the KUBA column, the RONDO column is also available in our manufacturing programme in a swivel-mounted and non-swivel-mounted version.

The non-swivel-mounted version can be optionally supplied with a foot pedal. This allows for the production of a hands-free and therefore hygienic drum opening.



# TWINO



The TWINO column combines aesthetics and everyday use. Due to their construction, a wide variety of different throw-ins can be produced.

Optionally, the column can also be equipped with a foot pedal. By means of this, hands-free and thereby hygienic opening is made possible.



# FINO



Due to its construction the FINO deposit column is particularly suitable for glass-waste and waste-paper collection in the public sector.



# PICO



The PICO deposit column is a visual alternative to the FINO deposit column and is particularly suited for collection in the public sector.



Image: Holding Graz/Stiger

# MODEL GTU



The GTU is our classic among underground systems and has been proven reliable for many years on the market. The available deposit columns can be found on pages 16–21.

The GTL relies on the tried and tested quality of the GTU and can also be combined with this. Due to a special construction however, in the case of the GTL, a collection volume of 6 m<sup>3</sup> (only size) can be realised.



# MODEL GTL





nur offizielle Gebührensäcke  
des Verbandes KVATG

Keine  
Sperrgutsammelstelle

54

# SEMI- UNDERGROUND SYSTEMS

## SEMI-UNDERGROUND SYSTEMS HAVE PREVAILED WHEREVER LARGE AMOUNTS OF WASTE CANNOT BE COLLECTED USING UNDERGROUND SYSTEMS.

In the case of semi-underground systems, the collection bins are partially underground. Thereby, we differentiate between different installation depths. For the Models GTT and GTV, the galvanised collection bins are located in an external concrete bin, which is located underground for the most part and protrudes 90 cm out of the ground. In the case of the Model GTC, the collection bin is in a ground basin.

many years and have proven to be reliable worldwide. The extremely long service life and the original BAUER design is particularly valued. Distinctive, however, individual nonetheless. Washed-concrete look in ski regions, wooden casing in holiday parks or motorway service stations, smooth concrete in urban spaces; aluminium perforated-metal-sheet casing in a modern environment.

Our semi-underground systems have been used for

### GeoTainer®

- MODEL GTT
- MODEL GTV
- MODEL GTC

# MODEL GTT



## YOUR ADVANTAGES

- **LOW SPACE REQUIREMENT**

---

- **LARGE COLLECTION VOLUME**

---

- **BARRIER-FREE ACCESS**  
due to the low-level throw-in height

---

- **NO NUISANCES DUE ODOUR OR PESTS**

---

- **NO VISION OBSTRUCTIONS**

---

- **ONE-MAN CRANE EVACUATION**

---

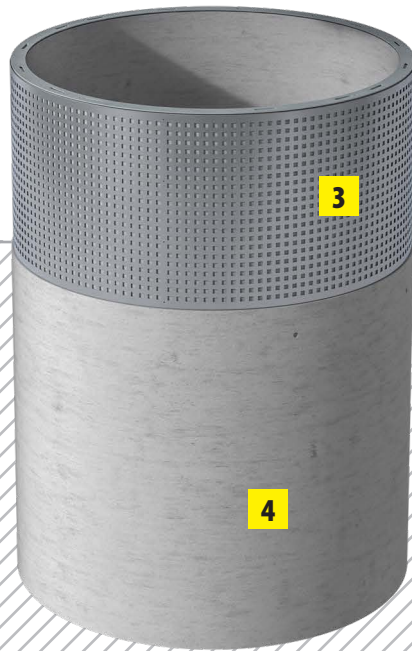
- **NON-FLAMMABLE and FULLY RECYCLABLE**

---



MODEL

# GTT



## GTT

- 1** Receptacle for the crane crossbeam
- 2** Collection bin
- 3** Overground part, concrete outer bin + casing
- 4** Underground part, concrete outer bin



**Top:** Model GTT with wooden casing and a “mushroom” pick-up system, throw-ins: Covers for glass, paper and lightweight packaging + opposite cover.

**Left:** Model GTT with a smooth concrete lock and a “mushroom” pick-up system, throw-ins: Double-skin drum + cover designed for commercial throw-in.



**Top left:** Model GTT with an aluminium perforated-metal-sheet casing and 2-hook pick-up system, throw-ins: Cover + lid and PE flap with opposite lid.

**Below:** Model GTT with a washed-out concrete look and a "mushroom" pick-up system, throw-ins: Cover for paper + opposite lid, double-skin drum + opposite lid.



**Top:** Collection site for organic and residual waste as well as lightweight packaging + glass.

**Below:** With wooden casing in use at motorway service stations.

MODEL  
**GTV**





The system structure and the function in the case of GTV are comparable with the Model GTT.

The crucial difference is the square structural shape. By means of this, a refreshingly new appearance is achieved. The overground part of the concrete bin can be individually adapted to the surrounding area with various colours and designed (e.g. wooden panels, perforated metal sheet).



The GTC is characterised by a low installation depth of 500 mm. Since no underground lines are affected, trouble-free installation is ensured. Furthermore, a proper appearance is ensured since the bins are always at their designated location.

**Top:** Model GTC with a 3-hook pick-up system with two thrown-in flaps.

**Below:** When emptying, the collection bin is lifted out of the ground basin using a lorry crane and the ground flaps are opened and closed by means of a crane crossbeam.



# MODEL GTC



**Top:** Model GTC-D with 3-hook pick-up system and two opposite lockable filling chute.

**Both images below:** Due to the insertion of the collection bins into the ground basins, an ergonomic throw-in height is achieved.



**Top:** Model GTC with a “mushroom” pick-up system and deposit flaps, glass-waste and paper throw-in.

**Below:** Especially for residential complexes, the collection bin has been equipped with two opposite drop chutes – as Model GTC-D.

In order to prevent filling by unauthorised persons, these are secured with a lock. Furthermore, an identification system can optionally be used so that a user-assigned billing system of the waste disposal feeds can be charged. The power supply is thereby controlled via an integrated solar module and/or via a battery module.





Image: WBO Oberhausen

Collection stations with the GTC and GTC-D models



A recycler  
FABRIEX

Ordures  
Ménagères  
Résiduelles

SEUL AUJOUR  
INTERDIT



Uniquement les bennes  
de 20 litres maximum

PROHIBÉ  
COURBAGE VERTS

# OVERGROUND SYSTEMS

**OUR OVERGROUND CONTAINERS HAVE BEEN DESIGNED TO BE USED FOR MANY YEARS DUE TO THEIR ROBUST CONSTRUCTION AND MEET ALL REQUIRED STANDARDS AS WELL AS GUIDELINES AND ARE AVAILABLE FOR KNOWN TYPES OF WASTE.**

It doesn't have to be always underground or semi-underground. In particular, for cost reasons and if appropriate container sites are available, overground collection bins can also be taken into consideration. Thanks to our various models and surfaces, such as foil technology for example, that make the bins into eye-catchers, we have proven that cost-effective and favourable looks do not have to be in contradiction with one another.

A long service life is guaranteed due to the use of high-quality materials. Tub-shaped floor flap collect residual liquids and ensure for clean container sites. A wide variety of different deposits for glass, paper, residual waste, lightweight packaging, old clothing etc. and all common pick-up systems can be supplied.

- MODEL C 300
- MODEL C 400
- MODEL C 600
- MODEL WB

# C-MODELS

## YOUR ADVANTAGES

- **VARIOUS DESIGNS** for all material and waste types
- **HARMONIOUS ADAPTATION** to the environment due to an individual look
- In the case of glass being thrown in, **THE ACOUSTIC POWER LEVEL OF 91 dB** is not exceeded
- **1, 2, OR 3 CHAMBERS** (container for the disposal of glass)
- Honeycomb-shaped floor flaps provide for **CLEAN CONTAINER SITES**
- **SELF INSTALLATION POSSIBLE**
- **NON-FLAMMABLE** and **FULLY RECYCLABLE**





**Top left:** C 600 Model Series with “mushroom” pick-up system.

**Bottom left:** C 600 Model Series with 1-hook pick-up system and foliage

**Top right:** Collection station for glass waste, paper, lightweight packaging and old clothing. C 600 Model Series with “mushroom” pick-up system and foliage.

**Bottom right:** C 400 Model Series with “mushroom” pick-up system and foliage



C 300 Model Series. Our classic among underground systems. Tried and tested for many years and a pleasure to choose again and again.

**Bottom right:** Optionally, the overground systems can also be equipped with a foot pedal for certain throw-ins. Hands-free opening and thereby hygienic opening can be implemented by means of this.



# MODEL WB



The perfect selection if small quantities are collected or if there is a lack of space.

With a standard volume of 0.8 and 1.1 m<sup>3</sup>, depending on the version, glass (sound-dampened), paper, residual waste or old clothing can be collected.

The galvanised sheet-steel construction can alternatively also be equipped with a projecting roof as a weather protection for the throw-in opening.

Rollers offer a higher level of mobility with relation to feet.

The 0.8 m<sup>3</sup> recycling materials box (WB 800) can pass through doorways.





# WASTE BINS

**FOR WASTE COLLECTION IN PUBLIC SPACES, E.G. CITY CENTRES AND REST STATIONS AS WELL AS IN PRIVATE HOUSEHOLDS, WE HAVE A WIDE VARIETY OF PRODUCTS IN OUR ASSORTMENT.**

Our waste-bin product group comprises innovative product solutions for the underground and over-ground collection of waste. This includes enclosures for large waste bins, subterranean garages for large waste bins, but also underground and overground

waste bins. Individually, this includes the following models:

- GeoTainer® MODEL GTM
- MODEL TORINO-DUE
- MODEL SECOMAT
- GeoTainer®GT MODEL
- GAB MODEL

# YOUR ADVANTAGES

- **REDUCTION OF EMPTYING CYCLES** (generally, no weekly emptying required) due to the large volume of up to 1,000 litres

---

- **“REFUSE DRIFTS” ARE RULED OUT**

---

- **PREVENTION OF NUISANCES DUE TO ODOURS AND PESTS** due to cool and hygienic collection conditions.

---

- **LOCKABLE DEPOSIT COLUMN 90° HINGE**, this makes opening only necessary when filling and emptying.

---

- **REMOVABLE DEPOSIT COLUMN** (e.g. for safety or space-utilisation reasons) – opening sealed with a cover plate

---

- **RAINWATER-PROOF**

---

- **NON-FLAMMABLE**

---

- **SUSTAINABLE** and **FULLY RECYCLABLE**

---

MODEL

GTM



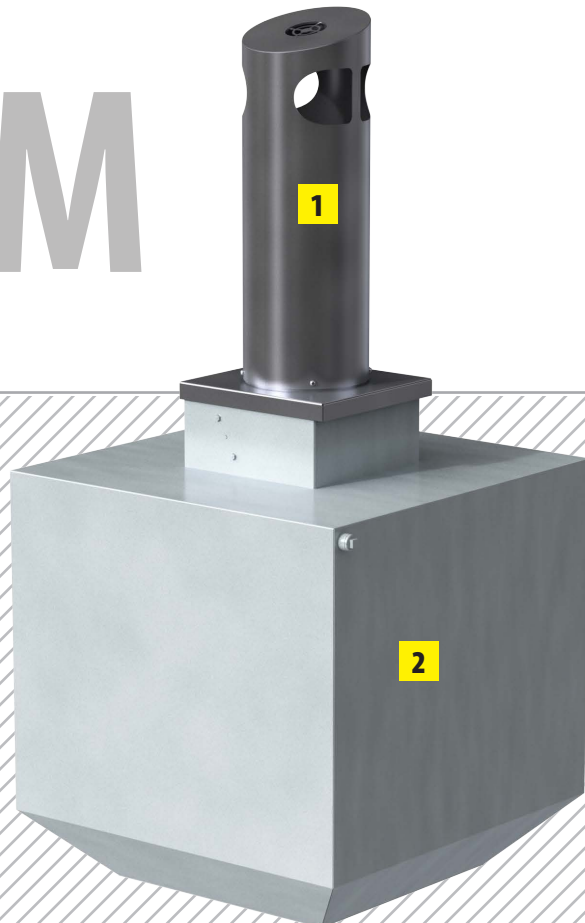
**MOERS**  
1904  
**BAHNHOF**





MODEL

GTM



GTM

- 1** Deposit column
- 2** Underground bin



What seems to be subtly elegant at first glance is really something spectacular: in contrast to conventional waste bins with a mostly small volume, in the GeoTainer® Modell GTM, quantities of 600–1000L can be collected underground.

For emptying, the deposit column is unlocked and flipped open. The waste is sucked away by means of a large or a small sweeper.

The GTM is also available in stainless steel and with a power-coating as an option, with an anti-graffiti coating, with a cigarette-extinguishing plate and ashtray in the roof with a bar to reduce the size of the throw-in opening and an accessible cover plate for safety during disassembly/removal.

The GTM can also be supplied with individual deposit columns.



MODEL

# TORINO-DUE



Everywhere where integrative installation is not possible, the overground model TORINO-DUE is an alternative to the underground collection bin. A sealable enclosure with an integrated 80L waste bin.

MODEL

# SECOMAT

ENCLOSURE FOR WASTE BIN

## YOUR ADVANTAGES

- **PROTECTION AGAINST VANDALISM AND FULLING BY UNAUTHORISED PERSONS**
- **VISUAL UPGRADING** of the container sites
- **WIDE VARIETY OF MODELS** for different requirements
- **QUICK ASSEMBLY** by means of preparation for attached to ground



**Top:** Enclosures for 120L or 240L large waste bins with lockable deposit flap.

**Bottom right:** Use at motorway service stations, enclosures for 120 or 240L large waste bins with throw-in opening and a red covering.







**Top left:** Model SECOMAT 4 USE, enclosure for 1100L large waste bin with two deposit flaps. Ideal for producing clean and accessible collections stations.

**Bottom left:** Model S 1100, enclosure for 1100L large waste bin with lockable roof. Ideal for safely accommodating large waste bins. Protection against unauthorised access and vandalism.

**Top right:** Model SECOMAT 4 USE, simple removal only by authorised personnel due to being lockable.

**Bottom right:** Increasingly more products can be optionally obtained with a foot pedal. Hands-free and thereby hygienic opening is becoming increasingly important due to the risks of infection. The SECOMAT with a round roof can be optionally supplied with a foot pedal.

MODEL

# GT

SUBTERRANEAN  
GARAGE FOR  
WASTE BINS



## YOUR ADVANTAGES

- **BETTER HYGIENE** due to underground placement
- **NO NUANCES DUE TO ODOURS OR PESTS**
- **OPTIMAL USAGE OF SPACE**, by means of this, no blockage of surfaces and passageways
- **FILLING AT ANY HEIGHT**, even by wheelchair users
- **WATERPROOF BIN, COVER**
- **CORROSION RESISTANT**





**Left:** GT-1 model, subterranean garage for 1 × 1100L large waste bin.

**Top right:** Model GT-4, underground parking area for a maximum of 4 × 240L large waste bin.

**Bottom right:** Model GT-3, underground parking area for a maximum of 3 × 240L large waste bins.



1100L large waste bin should be readily accessible and not be visible directly from the outside. The GeoTainer® models GT-1100 and GT-1100/2 confront this problem in a superior manner. The 1100L large waste bins can be stored underground at an ideal location. Only the deposit column(s) is/are visible; all further equipment is located underground.

The large waste bin can be loaded directly via the deposit column without lifting the platform. For emptying, the large waste bins are lifted out of the ground by means of an electrical drive.

**Top:** Model GT-1100/2, subterranean garage with two deposit columns for 2 x 1100L large waste bins.

**Below:** GT-1100 model, subterranean garage with deposit column for 1 x 1100L large waste bin.



MODEL

# GAB

BBQ-ash bin – When the weather is good, many people also use public parks and green areas to have a barbecue. The BBQ ash thereby accumulated often causes fires in conventional waste bins and entails costly fire-brigade deployments. In the BBQ-ash bin, Model GAB, embers can cool free of any hazard.

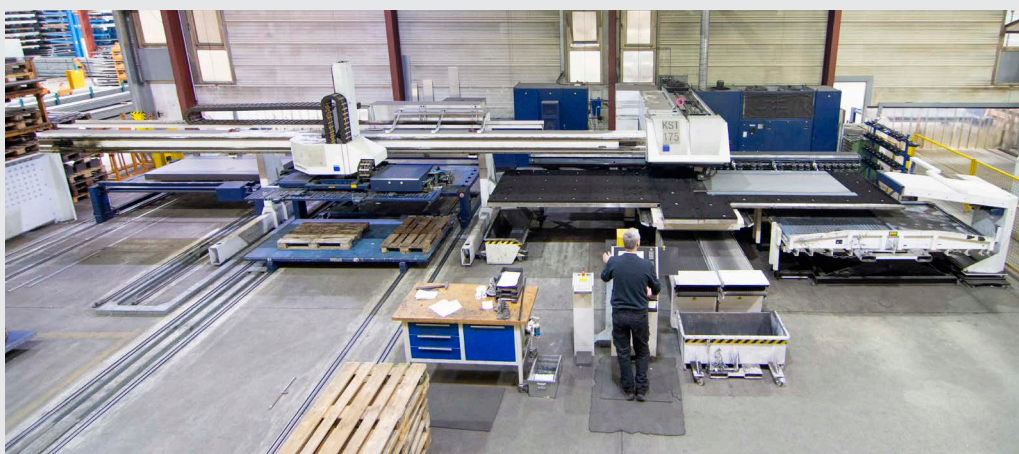




**Top:** Südlohn administration and production

**Left:** Plant II, Halberstadt

**Right:** FORUM in Südlohn



# WORK AT

**HAVING BEEN FOUNDED IN 1966, TODAY, BAUER GMBH WITH MORE THAN 350 MEMBERS OF STAFF IS ONE OF THE LEADING MANUFACTURERS IN EUROPE. THEREBY, PRODUCTION ONLY TAKES PLACE AT THE SÜDLOHN AND HALBERSTADT PLANTS.**

Qualified staff and the use of sophisticated manufacturing technologies guarantee products at the highest safety and quality level in the fields of lift-truck attachments, environmental protection equipment as well as recyclable-materials and waste containers. The quality management system certified since 1993 in accordance with DIN EN ISO 9001 thereby ensures the consistently high quality "made by BAUER".

A conscious environmentally friendly and sustainable orientation of the company is documented by the sustainability certificate.

In the family company – managed by Heinz Dieter,

Patrick and Pascal Bauer – education has a high level of importance. It takes place in a future- and practice-orientated manner so that some of the graduates are best-of-the-year students in the Chamber of Industry and Commerce district. A high level of social commitment of the entrepreneurial family has been shown by the Dieter Bauer Foundation (Dieter Bauer Stiftung), which has provided support for cancer and MPS research since 2003.

# WE BEAR RESPONSIBILITY

## ACTIVE CLIMATE PROTECTION

Since a clean environment already starts at production, we massively rely on renewable energies and make an important contribution to exemplary eco-balance at BAUER with our large-scale photovoltaic systems.



**990** TONS OF CO<sub>2</sub> SAVINGS  
PER YEAR, DUE TO OUR  
PHOTOVOLTAIC SYSTEMS!

## SUSTAINABILITY

Many of our products are used in order to implement a separated collection of recyclable materials and waste in order to achieve a high recycling rate. However, a sustainable approach to resources is even practised at our company itself. In this way, our print media, such as this catalogue for example, are printed on 100% recycled paper. The conscious environmentally friendly and sustainable orientation of the company is documented by the sustainability certificate.

## TRAINING AND ADVANCED EDUCATION

We have been a training organisation since 1970 and the education of young individuals is of great importance to us. We offer a wide variety of different training professions in administration and production. In order to meet our own high training demands, we have established a training centre where trainees are taught educational content in a praxis-orientated manner.

You can never stop learning. On the contrary. Staff, customers and distribution partners find the ideal conditions for training sessions, seminars and presentations in the new forum. The facilities optimally equipped with presentation and conference technology offer the ideal setting for meeting and informational exchange.



## SOCIAL COMMITMENT

The Dieter Bauer Foundation (Dieter Bauer Stiftung) has been providing support to cancer and MPS research since 2003. The funds only go to non-profit organisations in order to alleviate the suffering of the people affected. Visit us on the Internet at [www.dieterbauer-stiftung.de](http://www.dieterbauer-stiftung.de).

## OCCUPATIONAL HEALTH MANAGEMENT



A sustainable approach to human resources is also important to us. All members of staff have the possibility to train in diverse health centres and to be on the move in a healthy and environmentally conscious manner with the help of the "JobRad" bike programme.

Furthermore, due to an ergonomic workplace design, certain diseases are preventively countered.








**BAUER GmbH**  
 Eichendorffstr. 62  
 46354 Südlohn  
 Germany

Telephone: +49 2862 709-0  
 Fax: +49 2862 709-156  
 info@bauer-suedlohn.de

www.bauer-suedlohn.de  
 www.geotainer.com



...made by

**FORKLIFT TRUCK ATTACHMENTS**

**ENVIRONMENT / STORAGE**

**HAZARDOUS MATERIALS CONTAINERS**

**RECYCLING BANKS**

INNOVATION – CONSTRUCTION – MANUFACTURING  
...for more than 50 years

Request our current BAUER Industrial Catalogue free of charge.